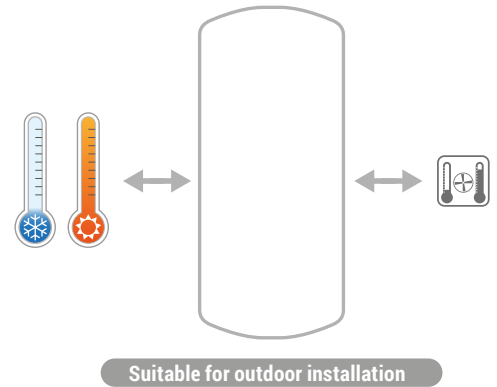


# Vertical Hot / Chilled Insulated Water Tank



PRESSURE	TEMPERATURE
Pmax 6 bar	Tmax -10 / +90 °C



## APPLICATION AND TECHNICAL DESCRIPTION

Storage of chilled or hot water for inverter installations. These buffers have a high thermal insulation and external lining with galvanized and painted metallic cover. The anti-corrosion treatment is not necessary being installed in closed systems. They are suited for installations that work with cold water during summer and hot water during winter. They also allow to limit the number of switch on/off of the generator (either heat pump, chilled system or standard Generator) increasing the thermal inertia of the system and to have more stable temperatures.

## MATERIAL

Mild steel

## EXTERNAL LINING

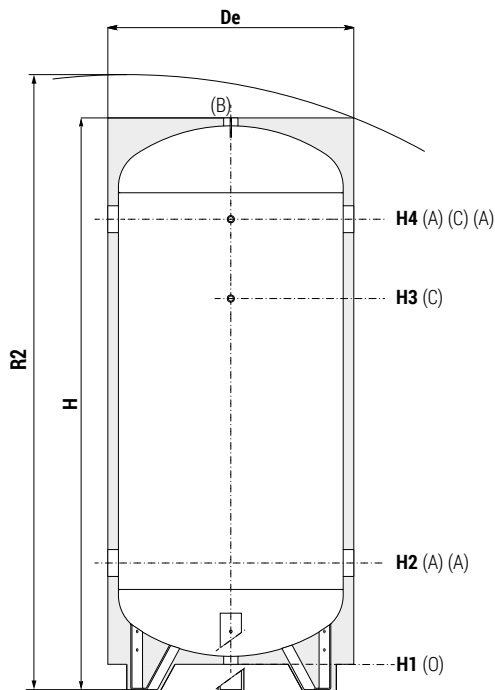
Galvanized and painted metallic cover.

## INSULATION

High thermal insulation with ecological polyurethane hard foam.

## WARRANTY

2 years-See general sales conditions and warranty.



- A** To the System
- B** Safety Valve
- C** Connection for instrumentation 1/2" F
- O** Drain

## ACQ RANGE

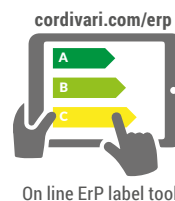
ENERGY EFFICIENCY CLASS

Model	Art. Nr.	ErP
<b>100</b>	3001162310501	<b>C</b>
<b>200</b>	3001162310502	<b>C</b>
<b>300</b>	3001162310503	<b>C</b>
<b>500</b>	3001162310524	<b>C</b>
<b>800</b>	3001162310529	<b>C</b>
<b>1000</b>	3001162310530	<b>C</b>
<b>1500</b>	3001162310527	<b>C</b>
<b>2000</b>	3001162310528	<b>C</b>

## ACQ RANGE - HIGH EFFICIENCY

ENERGY EFFICIENCY CLASS

Model	Art. Nr.	ErP
<b>800</b>	3001162310525	<b>B</b>
<b>1000</b>	3001162310526	<b>B</b>



**CORDIVARI** Lab

TÜV Rheinland Energie und Umwelt GmbH states that test procedures and Cordivari LAB are certified conforming to European standard EN 15332, as indicated by Ecodesign ErP Directive.



Model	Weight [Kg]	Volume [lt]	De	H	R2	H1	H2	H3	H4	B-O	Connections F	
<b>100</b>	32	101	460	1006	1115	73	287	592	792	1"1/4	1"1/2	1/2"
<b>200</b>	53	190	510	1407	1505	68	297	927	1177	1"1/4	1"1/2	1/2"
<b>300</b>	67	292	610	1518	1640	129	404	994	1244	1"1/4	2"	1/2"
<b>500</b>	101	501	750	1790	1945	80	400	1200	1450	1"1/4	3"	1/2"
<b>800</b>	147	788	850	2100	2270	80	430	1437	1730	1"1/4	3"	1/2"
<b>1000</b>	170	1034	950	2166	2370	80	463	1463	1763	1"1/2	3"	1/2"
<b>1500</b>	183	1432	1100	2366	2615	100	471	1681	1981	2"	3"	1/2"
<b>2000</b>	219	1970	1300	2436	2770	100	506	1716	2016	2"	3"	1/2"
<b>800 (B)</b>	147	788	900	2100	2290	80	430	1437	1730	1"1/4	3"	1/2"
<b>1000 (B)</b>	170	1034	1000	2166	2390	80	463	1463	1763	1"1/2	3"	1/2"

